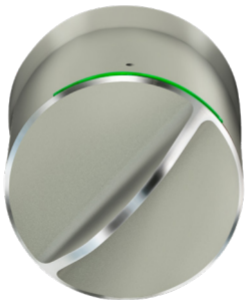




Danalock V3 BT HK EU
Mounting guide



Works with

Apple HomeKit

Table of contents

Tools needed	page	6
Parts involved	page	6
Contents of the Danalock box	page	7
1. Remove the old cylinder	page	8
2. Pull out the old cylinder	page	9
3. Adjust the new cylinder	page	10
4. Unscrew the small screws	page	11
5. Insert the spacer piece and brass tube	page	12
Cylinder Size guide	page	13-14
6. Assemble the cylinder	page	15
7. Insert the adjustable cylinder	page	16
8. The right rosette spacer	page	17
Avoid pulling the cylinder out of place	page	18
9. Break the screws to the right length	page	19

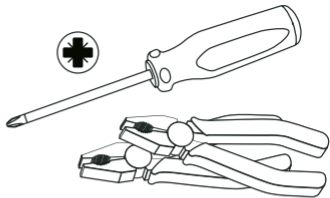
Table of contents

10. Fasten the back plate to the cylinder	page	20
Make sure that the lock still works!	page	21
11. Give the tailpiece the right length	page	22
12. Attach the tailpiece adapter	page	23
13. Fit the tailpiece	page	24
14. Align the plate marks	page	25
15. Fasten the Danalock	page	26
16. Activate batteries	page	27
17. Add the Danalock in the HomeKit App	page	28
18. Calibrate the lock	page	28
19. Dismounting	page	29
20. LED-Signals	page	30

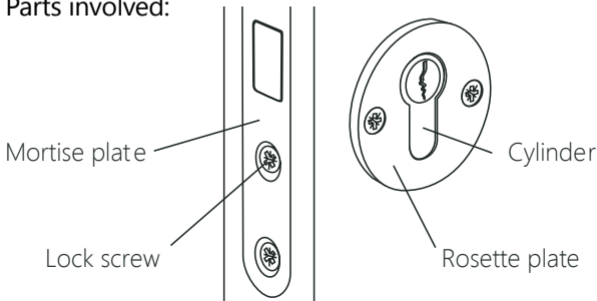
21. Click-commands	page 31-32
22. Firmware upgrade	page 33
23. Technical information	page 34
24. Legal information	page 34-35

Tools needed:

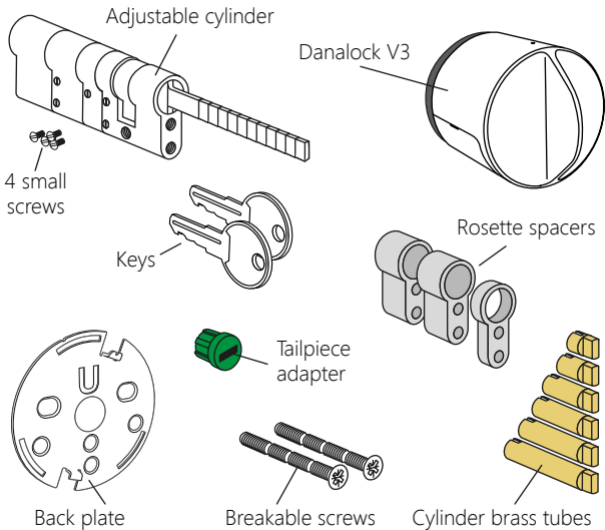
To mount the Danalock you need a Philips screwdriver and two pliers or a wire cutter.



Parts involved:

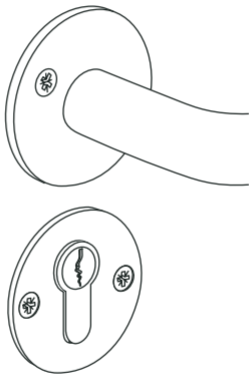
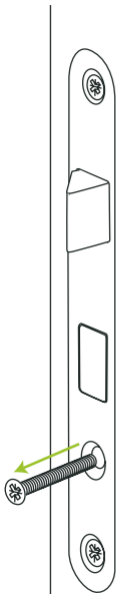


Contents of the Danalock box



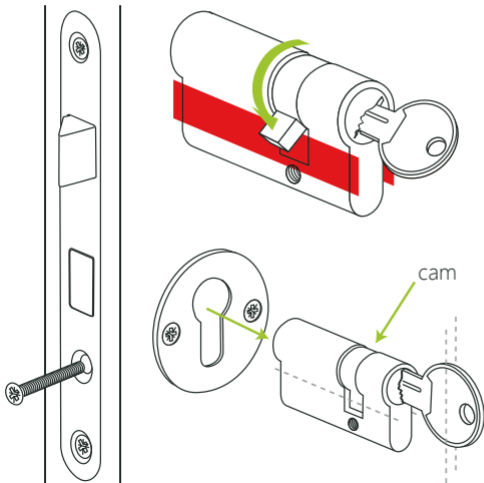
1. Remove the old cylinder

First you have to remove your current cylinder. Unscrew the lock-screw found in the mortise-plate on the side of the door.



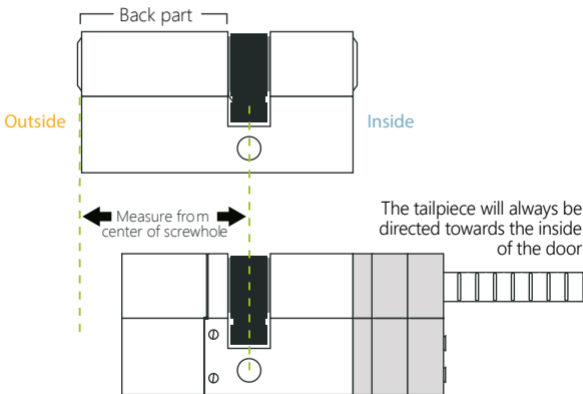
2. Pull out the old cylinder

Insert your key and turn it so the cam lines up with the body of the cylinder. Now pull out the cylinder.



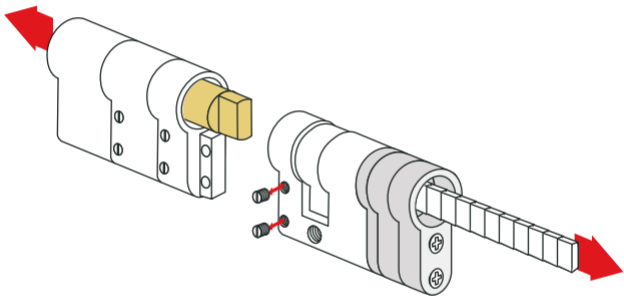
3. Adjust the new cylinder

Measure the back part (on the outside of your door) of the old cylinder from the middle of the screwhole and away (see illustration). Compare the length of the old cylinder to the length of the adjustable cylinder found in the box.

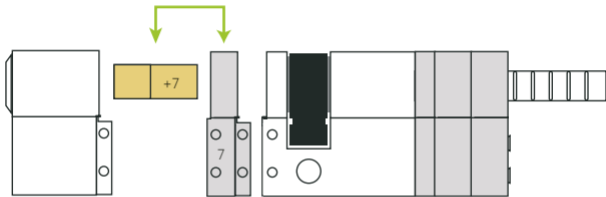


If the old cylinder and the adjustable cylinder matches - go to page 15. If they don't please proceed to the next page.

4. Unscrew the small screws on both sides of the cylinder and pull it apart.

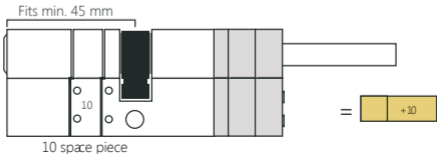
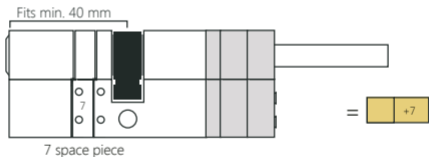
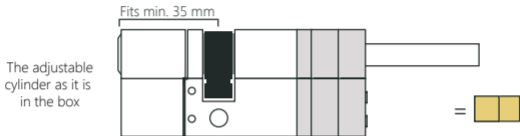


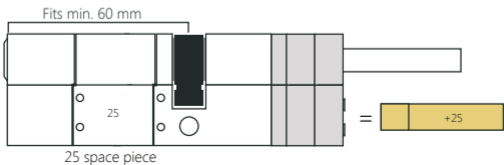
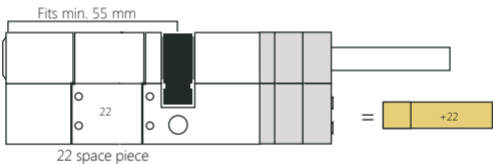
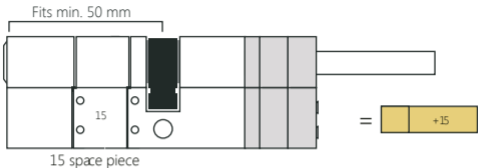
5. Insert the same size of spacer piece and brass tube to make the adjustable cylinder match the old cylinder.



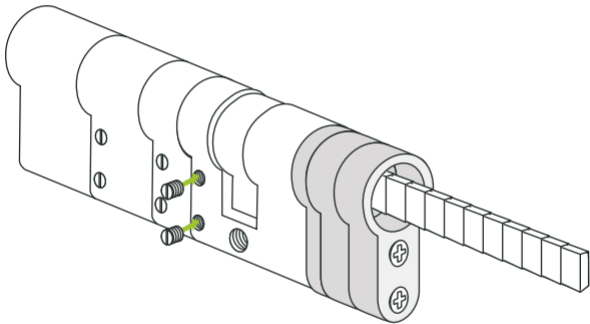
Please look at the size guide on the next pages to find the right length for the spacer piece and the brass tube.

Size guide - When you adjust the size of the Danalock cylinder to the old cylinder you'll have to exchange the brass tube in the center with another that fits the spacer piece. Here are the different combinations:



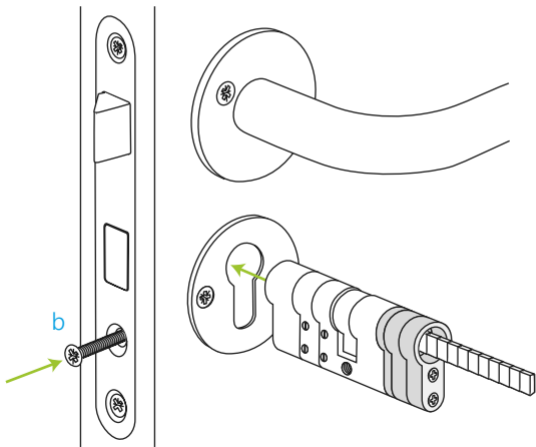


6. Assemble the cylinder and screw the small screws back in on both sides of the cylinder.



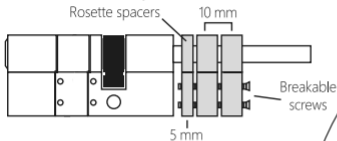
7. Insert the adjustable cylinder

Insert the new cylinder, and re-insert the lock-screw in the mortise-plate to fix the cylinder. (b) Do not tighten the screw too hard - make sure the cylinder functions correctly by locking and unlocking it with your hand.



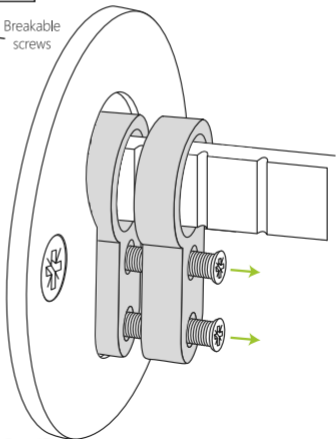
8. The right rosette spacer

To avoid pulling the cylinder out of place you need to find the right spacer or a spacer combination between the rosette and the back plate.

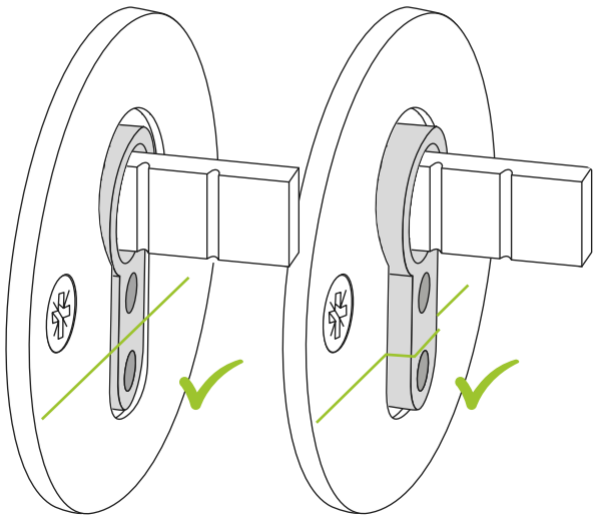


Unscrew the two breakable screws that hold the spacers together with the adjustable cylinder.

Choose one or more spacers so they are flush with the rosette surface.
(See next page)



IMPORTANT! Avoid pulling the cylinder out of place. It is important that the spacer is flush with or sticks out from the hole in the rosette plate.



9. Break the screws to the right length

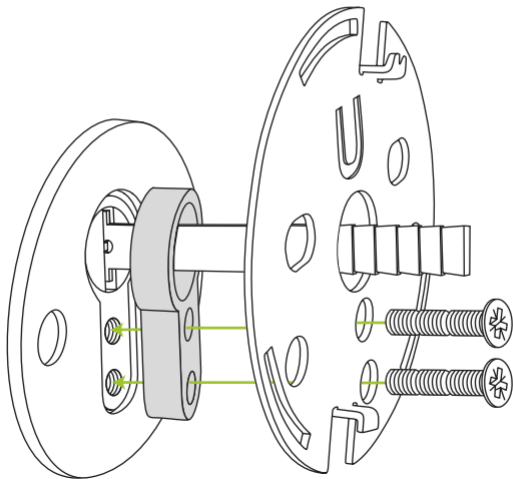
Depending on which spacer or spacer combination you chose, it is now important that the screws that fasten the cylinder to the back plate have the right length. Use this chart to find the right length:

	No spacers	cut 30 mm	
	5 mm spacer	cut 25 mm	
	10 mm spacer	cut 20 mm	
	5+10 mm spacers	cut 15 mm	
	10+10 mm spacers	cut 10 mm	

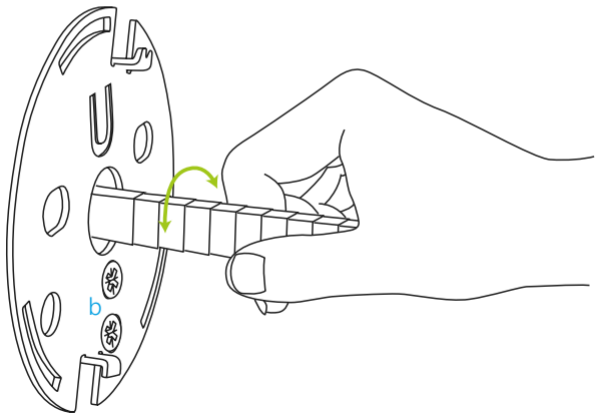
Use a wirecutter, two pliers or bend the screws forth and back several times in a vice to break them.

10. Fasten the back plate to the cylinder

Now fasten the back plate to the cylinder with the rosette spacer in between them.

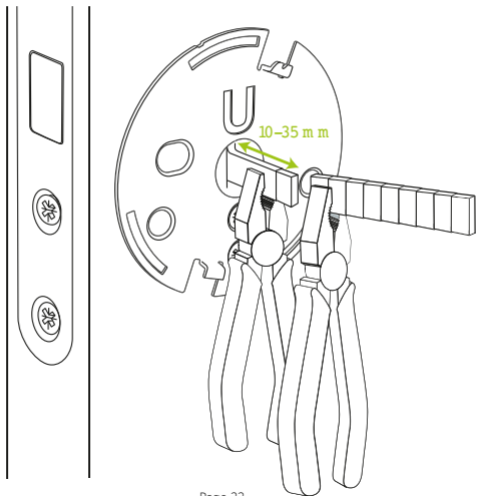


IMPORTANT! Make sure that the lock still works!
Make sure that the lock still works properly by turning
the tailpiece. If you can't lock and unlock this way please
loosen the cylinder screws. (b)



11. Give the tailpiece the right length

To avoid damaging the Danalock you will have to shorten the new cylinder tailpiece to **max. 35 mm** from the door surface. Use two pliers or a wire cutter to shorten the tailpiece.

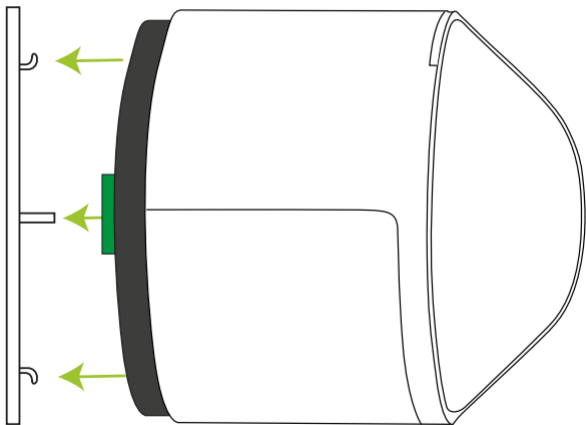


12. Attach the tailpiece adapter

Insert the green tailpiece adapter in the center tube on the back side of the Danalock. Press on the adapter until a click ensures it is fixed firmly to the Danalock.



13. Fit the tailpiece to the middle of the housing base
Fit the Danalock over the back plate. Make sure the
tailpiece hits the slide in the middle of the adaptor.



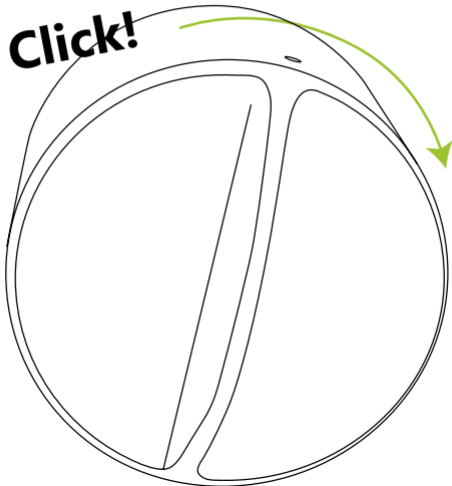
14. Align the plate marks

Find the small marking on the edge of the back plate and align the mark on the back of the Danalock baseplate with it. Now you are sure to hit the notches on the back plate with the Danalock.



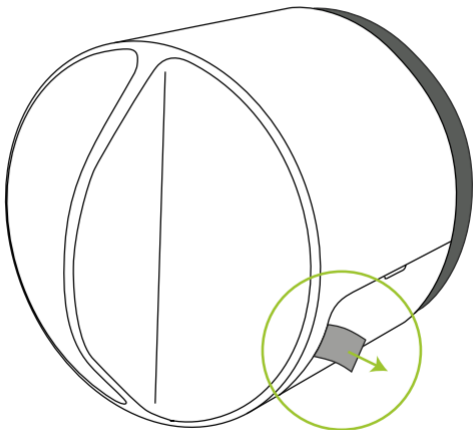
15. Fasten the Danalock

Turn the Danalock clockwise until it clicks to fasten it to the back plate. NOTE: If you need to unfasten and retry, see "Uninstall instructions" at the end of the manual.



16. Activate batteries

Pull out the plastic tab to activate the batteries. A light will flash to confirm the Danalock is ready.



Note: If the batteries are disconnected, you will have to re-calibrate the Danalock.

17. Add the Danalock in the HomeKit App

When the Danalock has been mounted on the door it is ready to be set up with the Home app. Instructions on how to use the Home app can be found at:

<https://support.apple.com/en-us/HT204893>

The HomeKit setup code can be found both inside the battery compartment and on the "Simple Guidelines" leaflet.

18. Calibrate the lock

The Danalock needs to be calibrated in order to function properly. Calibration can be done either automatically or manually with the commands found on page 29.

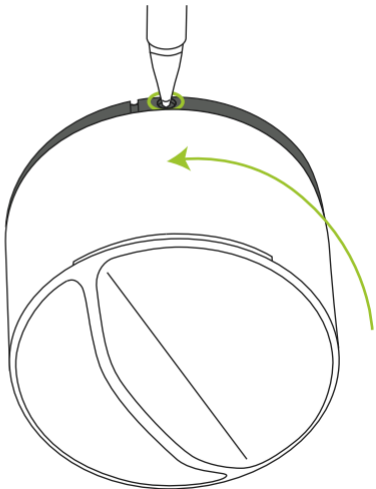
The Danalock can be configured further with the commands found on page 29 and 30.



19. Dismounting

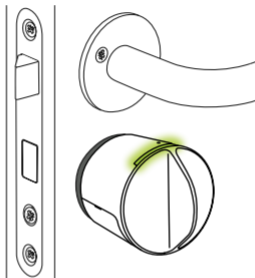
If you need to dismount the Danalock from your door, insert a pen tip into the hole at the top inner edge of the lock and press while turning the lock counter-clockwise until the lock releases.






This will not reset the lock or disconnect it from your account, but the lock may need to be re-calibrated if fastened to your door again.



20. LED-Signals

A LED light on the Danalock indicates the status of several operations with different colours:



LED-Mode	LED color	Status indication
Constant red till light finishes		Lock has successfully locked
Constant green till light finishes		Lock has successfully unlocked
Constant white for 3 seconds		Power on. Batteries are activated
Red light flashes every 5 minute		Critical battery level
Constant blue		Firmware is being updated

21. Configuring the Danalock V3 with click-commands

You can configure the Danalock via the button found in the small hole on the top of the lock. When you click through settings, the LED will change color according to the following scheme. When you get to the setting you want to change wait for 5 seconds and the Danalock will react to your command. This gives you plenty of time to navigate to the right command. If you make a wrong number of clicks, just stop at a number of clicks where the LED doesn't light up and wait for 5 seconds. The LED will flash red to indicate that it has timed out.



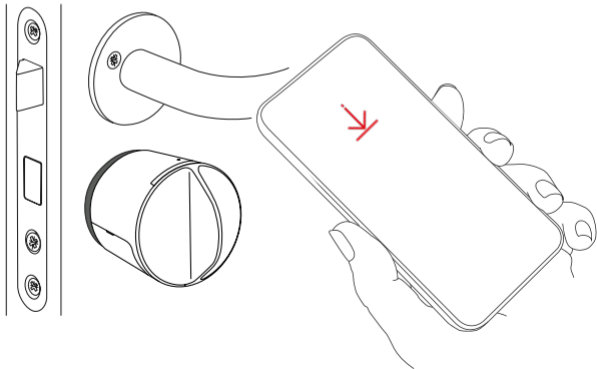
Clicks	Color	Activity
2	Yellow	Manual calibration
Start by turning the Danalock to the desired unlocked position. Start the calibration with the click command and wait for the LED to start blinking yellow. Turn the Danalock to the desired locked position while the LED blinks and click the button once to save the locked position. The Danalock will confirm with a green blink. If the lock doesn't receive a response from you within 30 seconds the calibration will be canceled.		
3	White	Auto calibration
Start by turning the Danalock to unlocked position and lifting the handle if needed. The door has to be left open while the Danalock auto calibrates. Start the auto calibration with the click command. The Danalock will blink white while auto calibrating.		

Clicks	Color	Activity
4	Blue	Brake and go back
<p>Turns the brake and go back functionality on or off. This setting will hold the latch back for 2 seconds to allow entrance. Everytime this command is entered the setting will switch to the next option.</p> <ul style="list-style-type: none"> • Turning off will respond with one red blink when being set. • Turning on will respond with one green blink when being set. 		
5	Purple	Auto lock timer
<p>Toggles between 3 auto locking settings: Off, short wait and long wait. Everytime this command is entered the setting will switch to the next option.</p> <ul style="list-style-type: none"> • Off will respond with a red blink when being set, and will disable auto locking. • Short wait will respond with short green blinks when being set, and will lock after 10 seconds. • Long wait will respond with one long green blink when being set and will lock after 30 seconds. 		
10	Red	Reset user settings
<p>This action will delete all user settings on the Danalock. The Danalock will respond by blinking red.</p>		

22. Firmware upgrade

To install the latest firmware on your Danalock download the Danalock app on App Store and log in as a "HomeKit only" user. Press the download icon on the front page in the app to start the firmware upgrade process.

Make sure to keep your phone near the Danalock during the entire firmware upgrade process.



23. Technical information

Controlling this HomeKit-enabled accessory automatically and away from home requires an Apple TV with tvOS 10.0 or later or an iPad with iOS 9.0 or later set up as a home hub.

HomeKit technology provides advanced security with end-to-end encryption and authentication between a HomeKit-enabled accessory and your iPhone, iPad, or iPod touch.

HomeKit security communications are encrypted between a HomeKit-enabled accessory and your iPhone, iPad, or iPod touch.

24. Legal information

Use of the Works with Apple HomeKit logo means that an electronic accessory has been designed to connect specifically to iPod touch, iPhone, or iPad, respectively, and has been certified by the developer to meet Apple performance standards. Apple is not responsible for the operation of this device or its compliance with safety and regulatory standards.

Apple, Apple Watch, iPad, iPad Air, iPhone, and iPod touch are trademarks of Apple Inc., registered in the U.S. and other countries. HomeKit is a trademark of Apple Inc.

